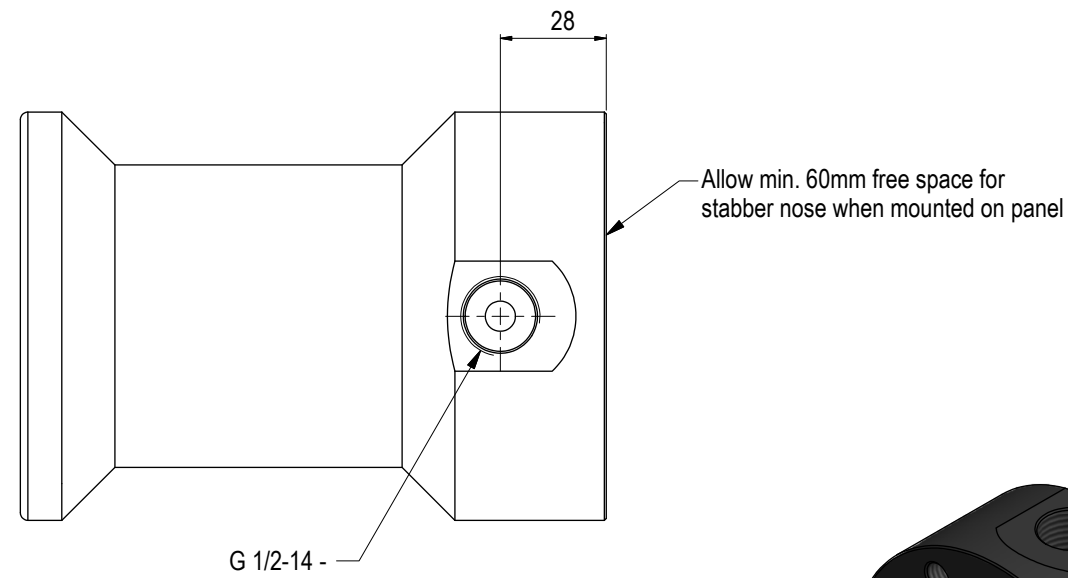
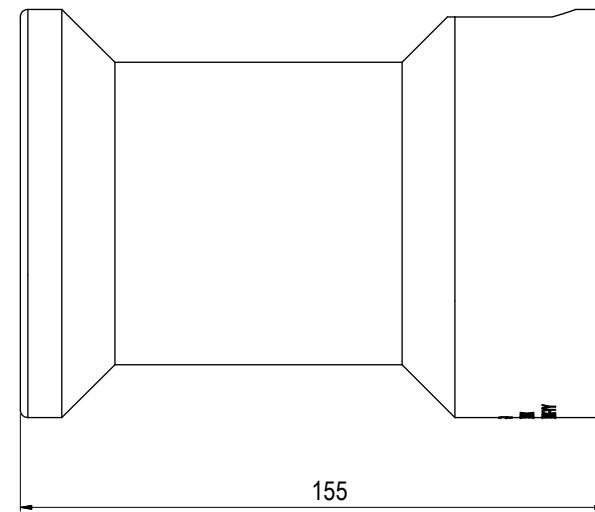
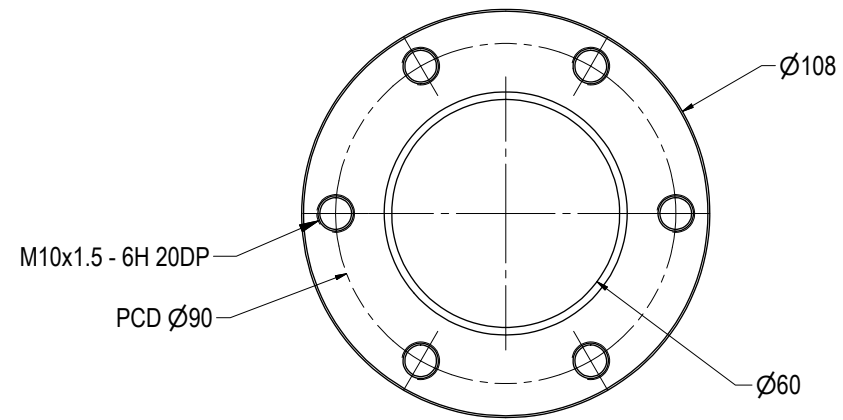


NOTE: 1
 DESIGN CODE:
 NS-EN 13445

NOTE: 2
 TECHNICAL CLASSIFICATION:
 Article Type: 003-Valve Stabs
 Main Group: 3.04. Ø60-Valvestab
 Intermediate Group: 3.34.02. Receptacle
 Sub Group: 3.34.75.3. Triple

NOTE: 3
 INTERFACE INFORMATION:
 Pressure Rating Bar: N/A
 Material: Intervention
 Weight: 1,5 kg
 Volume: 0,55 dm³
 Surface Area: 941 cm²
 Hydraulic: N/A
 Mechanical: N/A
 Electrical: N/A
 Com. & Protocol: N/A

NOTE: 4
 ADDITIONAL INFORMATION:
 Usermanual: 600134-TD-0004



04	23.6.2014	9-IFU (Issued for Use)		WTJ	HNJ	WTJ
03	8.7.2013	7-IFC (Issued for Construction)		HNJ	LAE	HNJ
02	3.1.2013	7-IFC (Issued for Construction)		HNJ	HSE	HNJ
01	8.11.2012	7-IFC (Issued for Construction)		LGH	NA	NA
Rev.	Date	Reason for issue	Revision change	Made	Chk'd	Appr.



Dwg Scale:	NTS
Dwg Proj:	
Dwg Format:	A3

Drawing title:	Ø60 TP Park VRec Interv	
Drawing number:	BA3054	Rev. 04